



**HM Digital, Inc.**  
 5819 Uplander Way  
 Culver City, CA 90230  
 U.S.A.

310-410-3100  
 info@hmdigital.com  
 www.hmdigital.com

## HM DIGITAL SENSORS SPEC SHEETS

### Sensor Data:

	<b>SP-1 (controllers)</b>	<b>SP-2 (DM-1)</b>	<b>SP-3 (DM-2)</b>	<b>SP-4</b>
Probes	Single	Dual	Dual	Dual
Connector pins	4	4 each probe (pair)	8 (4 per probe)	4 (2 per probe)
Connector type	Plug-in/screw tighten	Plug-in	Plug-in	Plug-in
Sensor size	½" threaded bushing	¼" tube	¼" tube	¼" tube
Sensor pin size	2.5 x 9.5 mm	1.6 x 6.6 mm	1.6 x 6.6 mm	1.6 x 6.6 mm
Range	0-10,000 ppm	0-10,000 ppm	0-10,000 ppm	0-10,000 ppm
Thermister	Yes	Yes	Yes	No
ATC (Connection)	Yes	Yes	Yes	No
Standard cable length	3 meters	0.6 meters	1.2 meters	0.45 meters
Ambient conditions	4-80°C	4-80°C	4-80°C	4-80°C
Signal strength	21mV	60mV	60mV	60mV
Voltage	5V	3V	3V	3V
Output	2.5W	2W	2W	2W

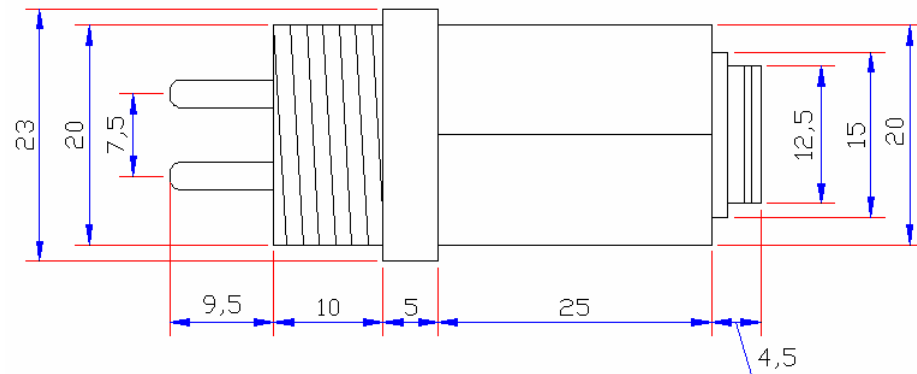
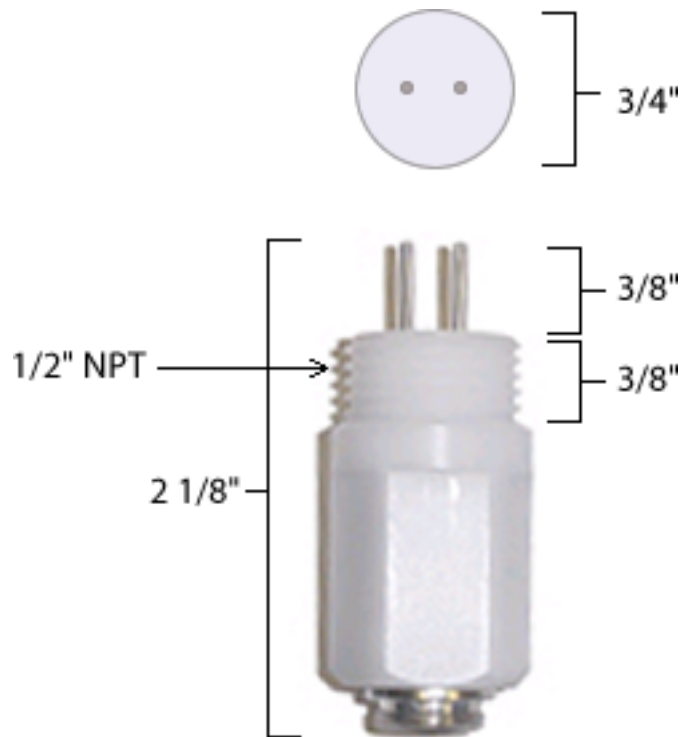
*Information contained on this page is confidential and privileged.*



**HM Digital, Inc.**  
5819 Uplander Way  
Culver City, CA 90230  
U.S.A.

310-410-3100  
info@hmdigital.com  
www.hmdigital.com

## Sensor Photos and Diagrams: SP-1

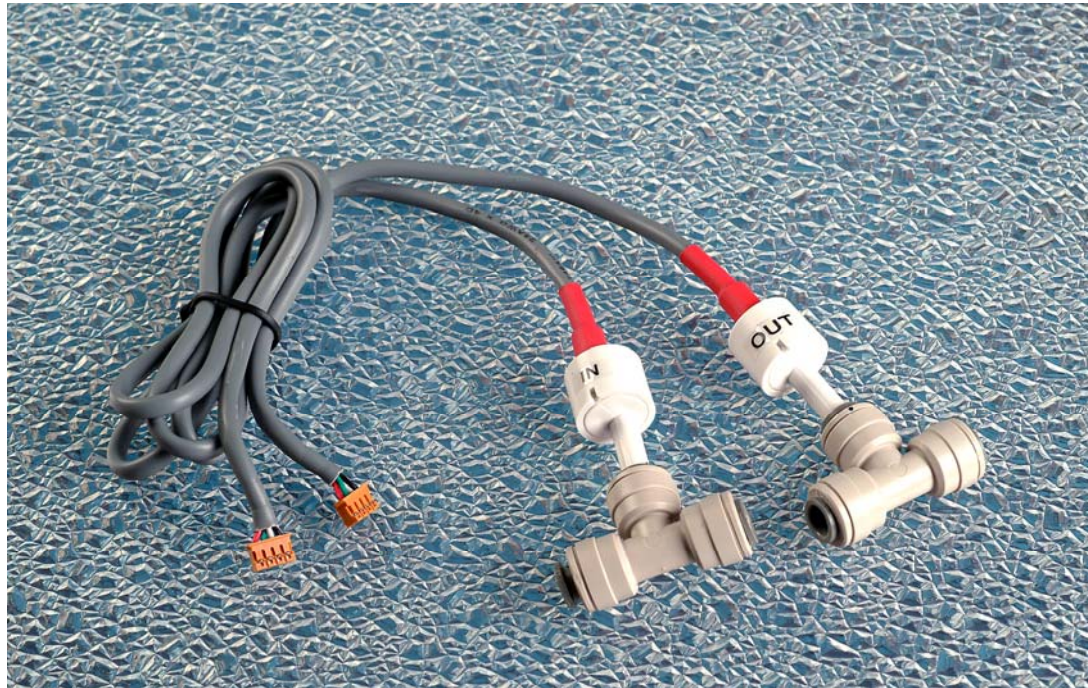




**HM Digital, Inc.**  
5819 Uplander Way  
Culver City, CA 90230  
U.S.A.

310-410-3100  
info@hmdigital.com  
www.hmdigital.com

## Sensor Photos and Diagrams: SP-2

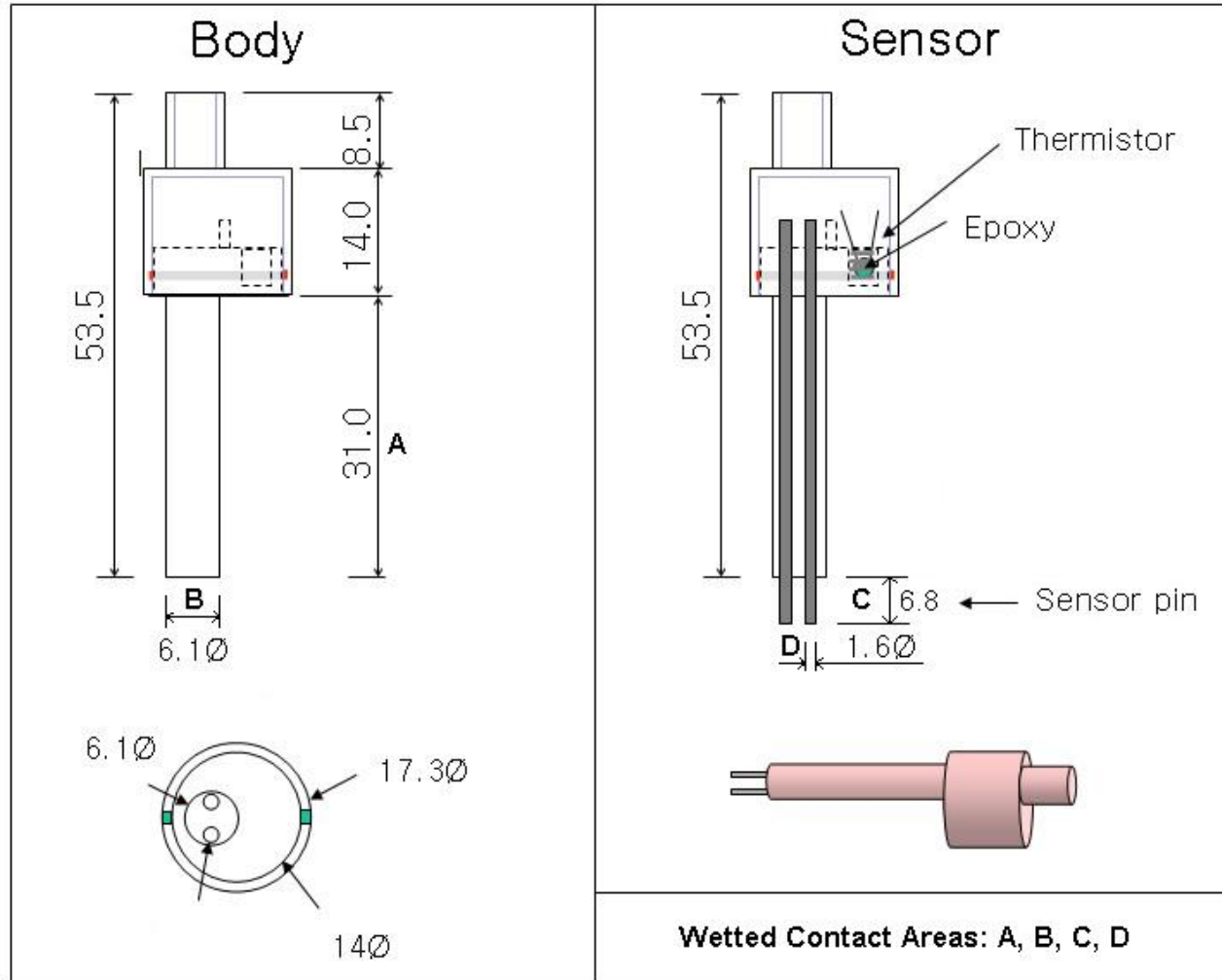




**HM Digital, Inc.**  
5819 Uplander Way  
Culver City, CA 90230  
U.S.A.

310-410-3100  
info@hmdigital.com  
www.hmdigital.com

## Sensor Photos and Diagrams: SP-2, SP-3



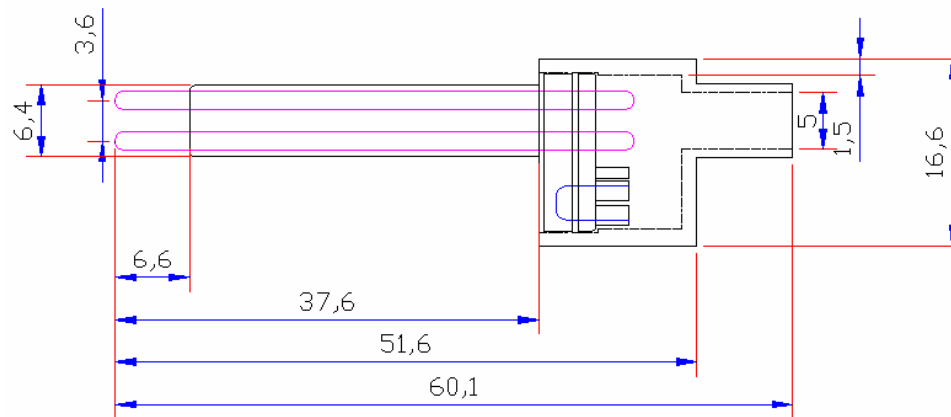
*Information contained on this page is confidential and privileged.*



**HM Digital, Inc.**  
5819 Uplander Way  
Culver City, CA 90230  
U.S.A.

310-410-3100  
info@hmdigital.com  
www.hmdigital.com

## Sensor Photos and Diagrams: SP-2, SP-3



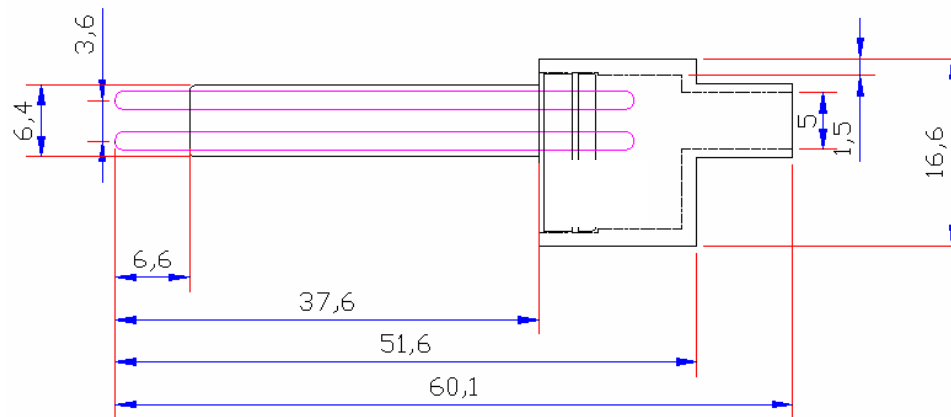
SP-2,SP-3



**HM Digital, Inc.**  
5819 Uplander Way  
Culver City, CA 90230  
U.S.A.

310-410-3100  
info@hmdigital.com  
www.hmdigital.com

## Sensor Photos and Diagrams: SP-4



SP-4